

Planning a kitchen remodel can be a complicated puzzle with many variables and peculiarities. Some considerations that Castle's professional designers consider include: Finding the perfect placement for the sink, locating the dishwasher, spacing for an efficient work triangle, having ample walk spaces and good traffic flow, cabinet clearances and door swings, and a mix of storage and prep space. Below are drawings and diagrams from the National Kitchen and Bath Association that go into further detail on kitchen planning basics.

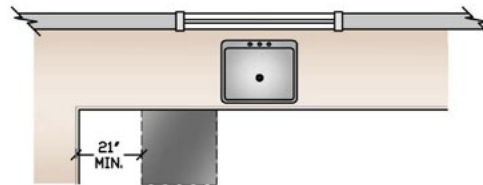
Dishwasher Placement

Recommended:

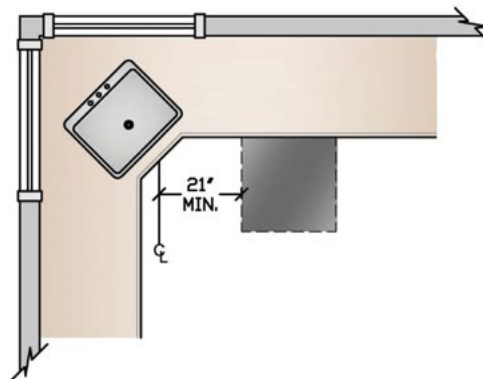
Locate nearest edge of the primary dishwasher within 36" (914 mm) of the nearest edge of a cleanup/prep sink.



Provide at least 21"* (533 mm) of standing space between the edge of the dishwasher and countertop frontage, appliances and/or cabinets, which are placed at a right angle to the dishwasher.



**In a diagonal installation, the 21" (533 mm) is measured from the center of the sink to the edge of the dishwasher door in an open position.*



Code Requirement:

State or local codes may apply.

Access Standard

Recommended:

Raise dishwasher 6" to 12" (152 mm to 305 mm) when it

Are you ready to get your remodeling project started? Call us today and mention House H1! 612-789-8509

Distance between Work Centers

Recommended:

In a kitchen with three work centers,* the sum of the three traveled distances should total no more than 26' (669 mm), with no single leg of the triangle measuring less than 4' (1219 mm) or more than 9' (2743 mm).

When the kitchen plan includes more than three primary appliance/work centers, each additional travel distance to another appliance/work center should measure no less than 4' (1219 mm) nor more than 9' (2743 mm).

Each leg is measured from the center-front of the appliance/sink.

No work triangle leg intersects an island/peninsula or other obstacle by more than 12" (305 mm).

*A major appliance and its surrounding landing/work area form a work center. The distances between the three primary work centers (cooking surface, cleanup/prep sink, and refrigeration storage) form a work triangle.

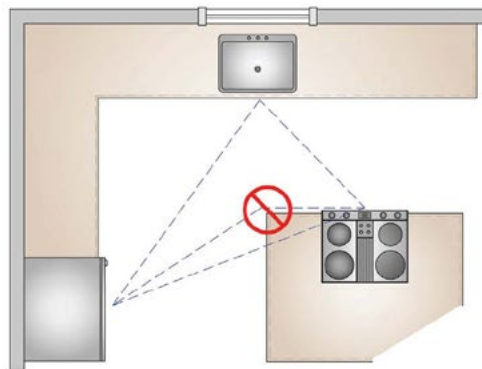
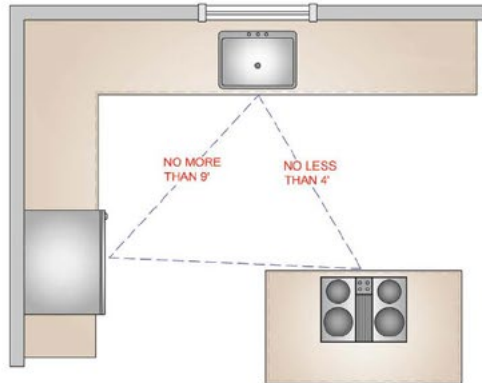
Code Requirement:

State or local codes may apply.

Access Standard

Recommended:

Kitchen guideline recommendation meets Access Standard.



Work Triangle Traffic

Recommended:

No major traffic patterns should cross through the basic work triangle.

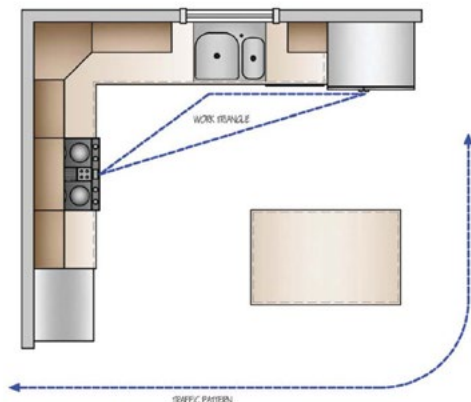
Code Requirement:

State or local codes may apply.

Access Standard

Recommended:

Kitchen guideline recommendation meets Access Standard.



Are you ready to get your remodeling project started? Call us today and mention House H16! 612-789-8509

Kitchen Layout Basics

H16: 5744 20th Ave S | Designer: Amy Hinck
Project Type: Kitchen

Walkway

Recommended:

The width of a walkway should be at least 36" (914 mm).

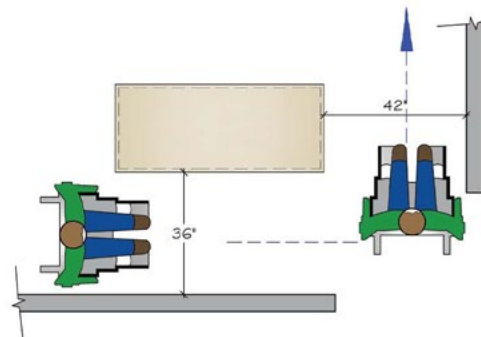
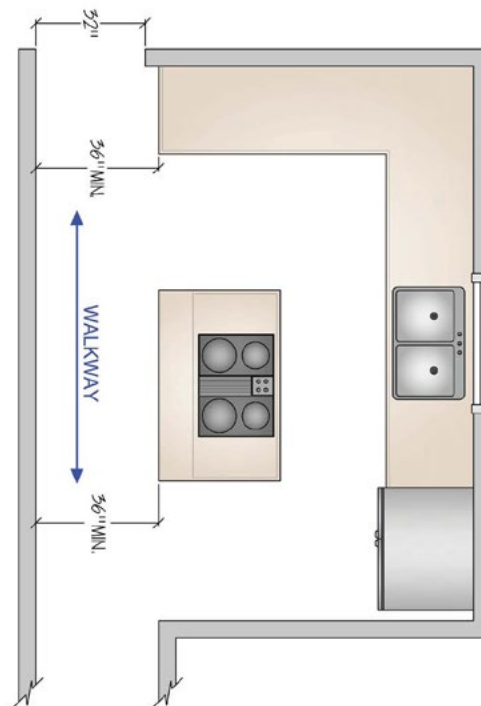
Code Requirement:

State or local codes may apply.

Access Standard

Recommended:

If two walkways are perpendicular to each other, one walkway should be at least 42" (1067 mm) wide.



Are you ready to get your remodeling project started? Call us today and mention House H16! 612-789-8509

Kitchen Layout Basics

H16: 5744 20th Ave S | Designer: Amy Hinck
Project Type: Kitchen

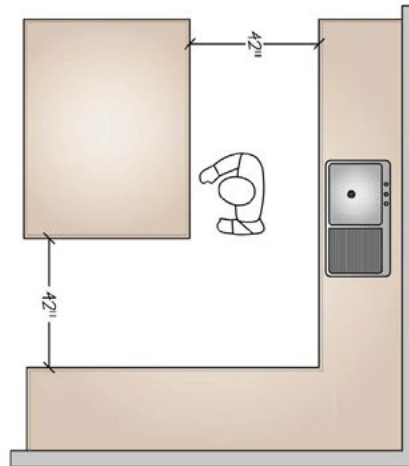
Work Aisle

Recommended:

The width of a work aisle should be at least 42" (1067 mm) for one cook and at least 48" (1219 mm) for multiple cooks. Measure between the counter frontage, tall cabinets, and/or appliances.

Code Requirement:

State or local codes may apply.



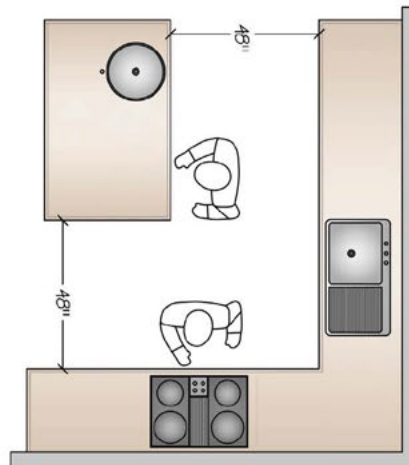
Access Standard

Recommended:

Kitchen guideline recommendation meets Access Standard recommendation. See Code References for specific applications.

ICC A117.1-2009 Reference:

A clear floor space of at least 30" x 48" (762 mm x 1219 mm) should be provided at each kitchen appliance. Clear floor spaces can overlap. (305.3, 804.5)



- In a U-shaped kitchen, plan a minimum clearance of 60" (1524 mm) between opposing arms. (804.2, 1003.12)
- Include a wheelchair turning space with a diameter of at least 60" (1524 mm), which can include knee* and toe** clearances. (304.3)
- A wheelchair turning space could utilize a T-shaped clear space, which is a 60" (1524 mm) square with two 12"



Are you ready to get your remodeling project started? Call us today and mention House H16! 612-789-8509